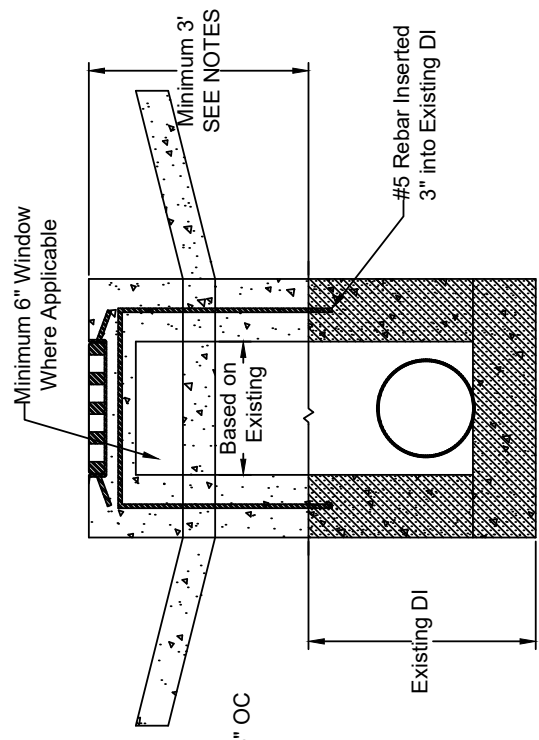


Revision DATE: 04/13/2021

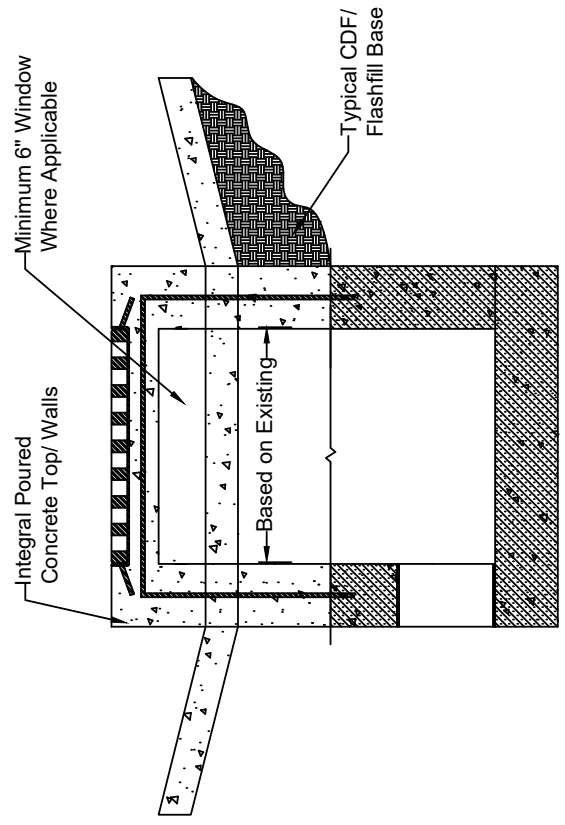


City Stormwater Management Engineer Approved *Eve Bayler* Ditch Inlet (DI) Special - 120357

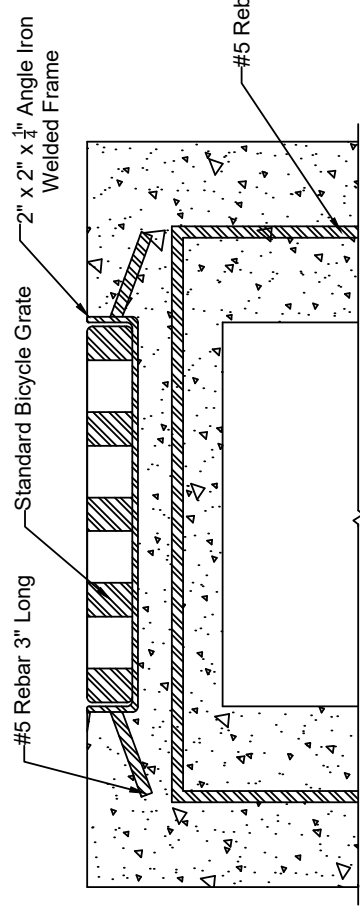
24



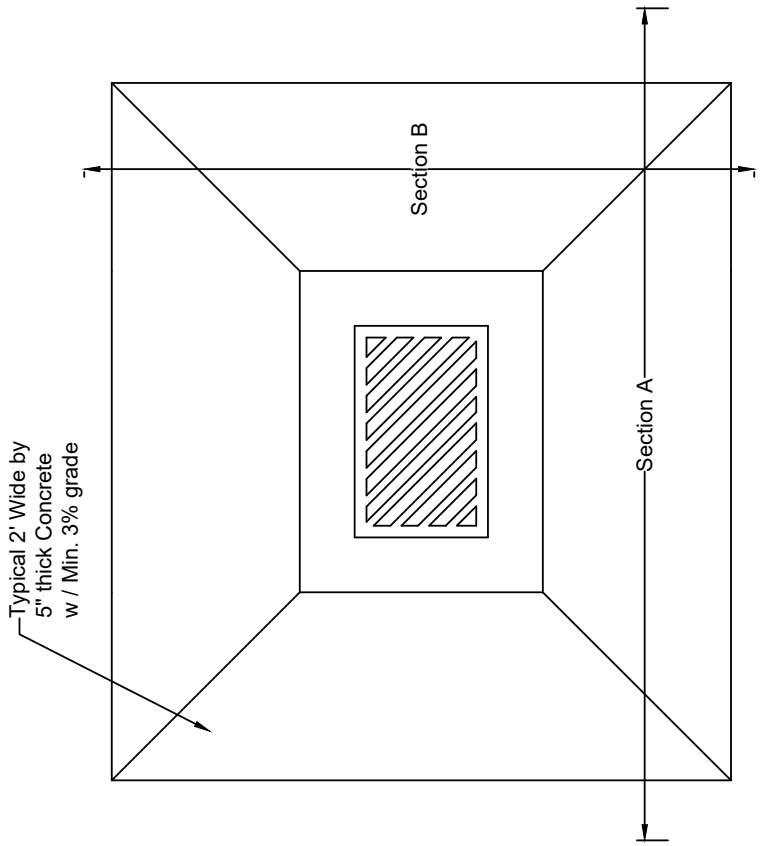
Section B



Section A



Typical Steel Layout



Top View

General SMU Notes

1. Inlet chambers shall be precast or made from concrete block in accordance with latest ODOT CMS and City Supplement specifications.
2. All structures must meet standard inside dimensions.
3. Block chambers shall be made from solid slab blocks.
4. Mortar joints shall be a minimum of 3/8".
5. Block walls shall be skim coated with a minimum 1/8" mortar.
6. Casting shall be set in a bed of mortar.
7. Block floors are not permitted.
8. Precast box shall be set on a bed of 6" compacted #57 stones with the floor poured to match flow lines.
9. Concrete floors shall be a minimum of 6" thick.
10. Precast walls shall be a minimum 6" thick.
11. All risers shall be sealed with 2 rows of Con-seal. One interior and one exterior.
12. Pipes shall not enter within 8" of an inside corner.
13. Outlet pipe shall be flush with wall or protrude no more than 1".
14. For incoming conduits with diameter of 8" and smaller see Acc. # 120340.
15. For standard casting, see Acc. # 49017.
16. For standard reinforcing steel notes see Acc. # 49010.
17. Inlet connections in a cone section are not permitted.
18. No more than 2 inlet connections spaced 2' +/- feet apart horizontally in a 3' or 4' manhole section.
19. Hubs inside of any structure are not permitted.
20. All reinforcing bars shall clear interior face of wall by 2".
21. For installation of risers, a 1" tolerance in either direction is permitted.
22. Protrusions for inlet pipes shall be a minimum of 1" and a maximum of 2".

23. All pipes shall be set in a bed of mortar, dry fitting is not permitted.
24. Pipe edges shall be smooth. No jagged edges are permitted.
25. Shop drawings for precast structures must be approved prior to work commencing.
26. No knockouts are permitted.
27. No steps are permitted.
28. All penetrations shall be manufactured or cored and shall not exceed 4" greater than the conduit's outside diameter.
29. Shims are not permitted.

DI Special

1. Existing DI walls and floor shall be assessed by SMU to determine how deep this repair will go.
2. Existing DI shall be partially removed to be allow for 3' of new concrete top to be poured on existing.
3. Height of new facility shall be 6" above street elevation.
4. 2"x2"x 1/4" angle iron shall be pre-fab welded allowing 1/8" gap all the way 8 around the standard bicycle grate.
5. Wall and top sections shall be poured separate from 2' wide minimum approaches around facility.
6. Flowable fill shall be used around walls under 2' approaches.

